

# MUX-HD

# Datasheet

**DOC V1.3**  
**PCB V5.0**



PRELIMINARY, SUBJECT TO CHANGE WITHOUT NOTICE

### MUX-HD brief

MUX-HD is a 4 HDMI input and 2 DVI output video BOX. It has 4 HDMI input ports with remote selectable, there is an advanced HDMI receiver, and accept any mode of HDMI source up to 1080P, and output DVI-RGB signal to let you connect DVI monitor or projector, that will be cleanest digital path from video source to your display. Additional Toslink output to let you connect AV receiver to get up to 7.1CH sound. The MUX-HD is an ideal product can let you connect up 4 HDMI video sources to your digital display

### FEATURES

#### ■ HDMI input path

- 4 port HDMI input
- HDMI 1.1, 1.2ready ,HDCP 1.1, and DVI 1.0 compliant
- DTV mode support (480P,576P,720P,1080i,1080P) for 50 and 60Hz
- PC mode support (VGA, SVGA, XGA, SXGA, UXGA) up to 165MHz
- Support 4:4:4 RGB / YCbCr input
- Support 4:2:2 YcbCr input
- Support both 16-235 and 0-255 color range

#### ■ DVI output port

- one DVI-RGB output port support up to 165MHz ( beyond 1080P and UXGA 1600X1200)
- one HDMI-RGB(no audio content) output port support up to 165MHz ( beyond 1080P and UXGA 1600X1200)
- Two audio out Toslink port support 2CH PCM or 7.1CH compressed audio
- Drive up to 10M cable

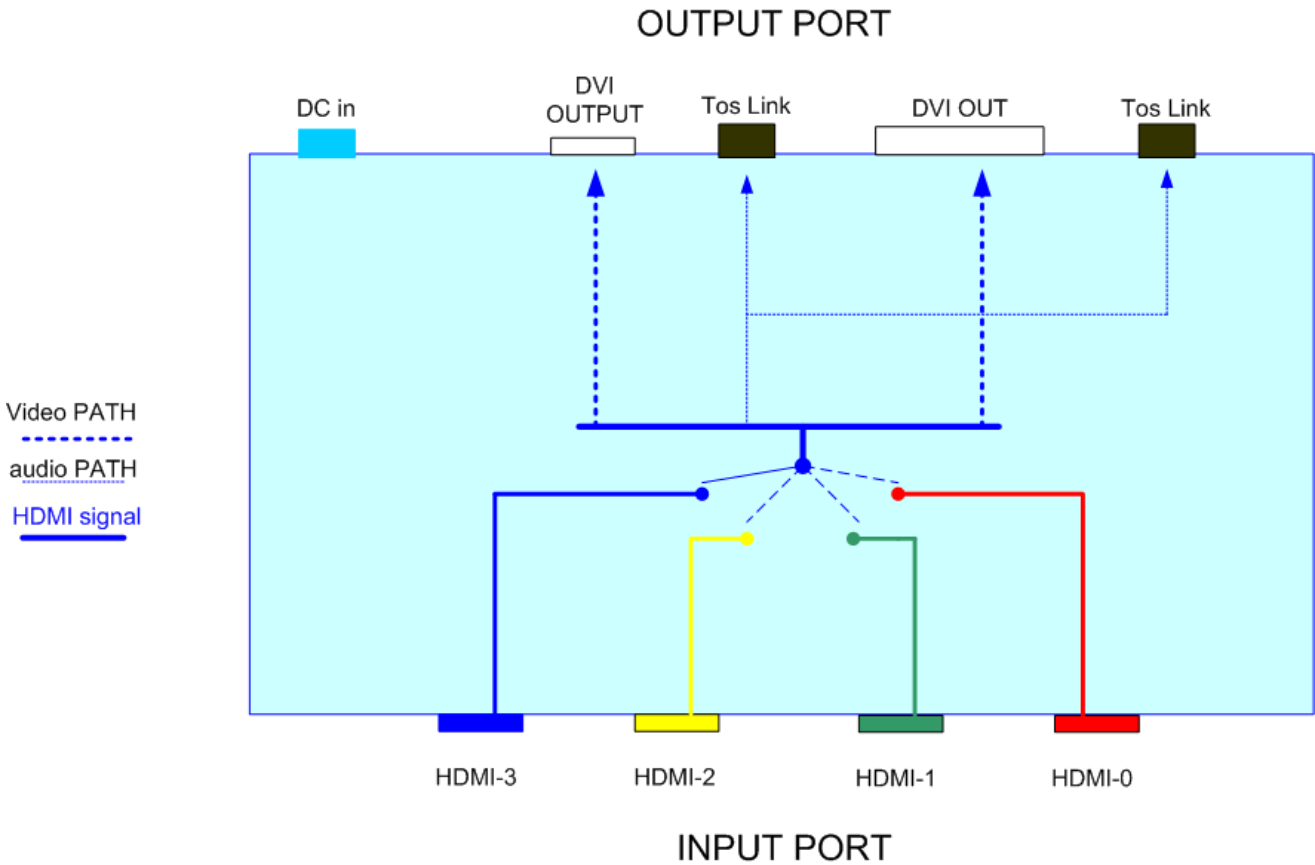
#### ■ Board and BOX

- Metal box have cleanest electrical environment for high definition content processing
- Manual select input port
- IR control select input source
- Global power supply 100V-240V

#### ■ HDMI support mode table

PC mode	640X480	60HZ 72HZ 75HZ 85HZ
	800X600	56HZ 60HZ 72HZ 75HZ 85HZ
	1024X768	43HZ 60HZ 70HZ 75HZ 85HZ
	1152X864	60HZ 70HZ 75HZ 85HZ
	1280X1024	43HZ 60HZ 75HZ 85HZ
	1600X1200	48HZ 60HZ
	1440X960	43HZ 60HZ 72HZ
HDTV mode	480P	60HZ
	576P	50HZ
	720P	50HZ 59HZ 60Hz
	1080I	29HZ 30HZ 50HZ 59HZ 60HZ 96HZ
	1080P	50HZ 59HZ 60Hz 24HZ
	1035I	30HZ

## Box overview



### HDMI input ports:

Connect HDMI cable to video source

### Toslink:

Optical digital sound output

### DC connector:

Connect to AC adaptor

### IR control:

IR control can let you switch between input sources.

**IR controller button:**

<b>Key name</b>	<b>function</b>	<b>note</b>
0	input select HDMI0	
1	input select HDMI1	
2	input select HDMI2	
3	input select HDMI3	
Reset	Reset audio	
A	RGB output mode	
B	By pass mode	
C	Force to YcbCr 422 mode	
D	Force YCbCr 422 mode with 10bit support	