

BARCO

BARCO Projection Systems

SECTION **V**

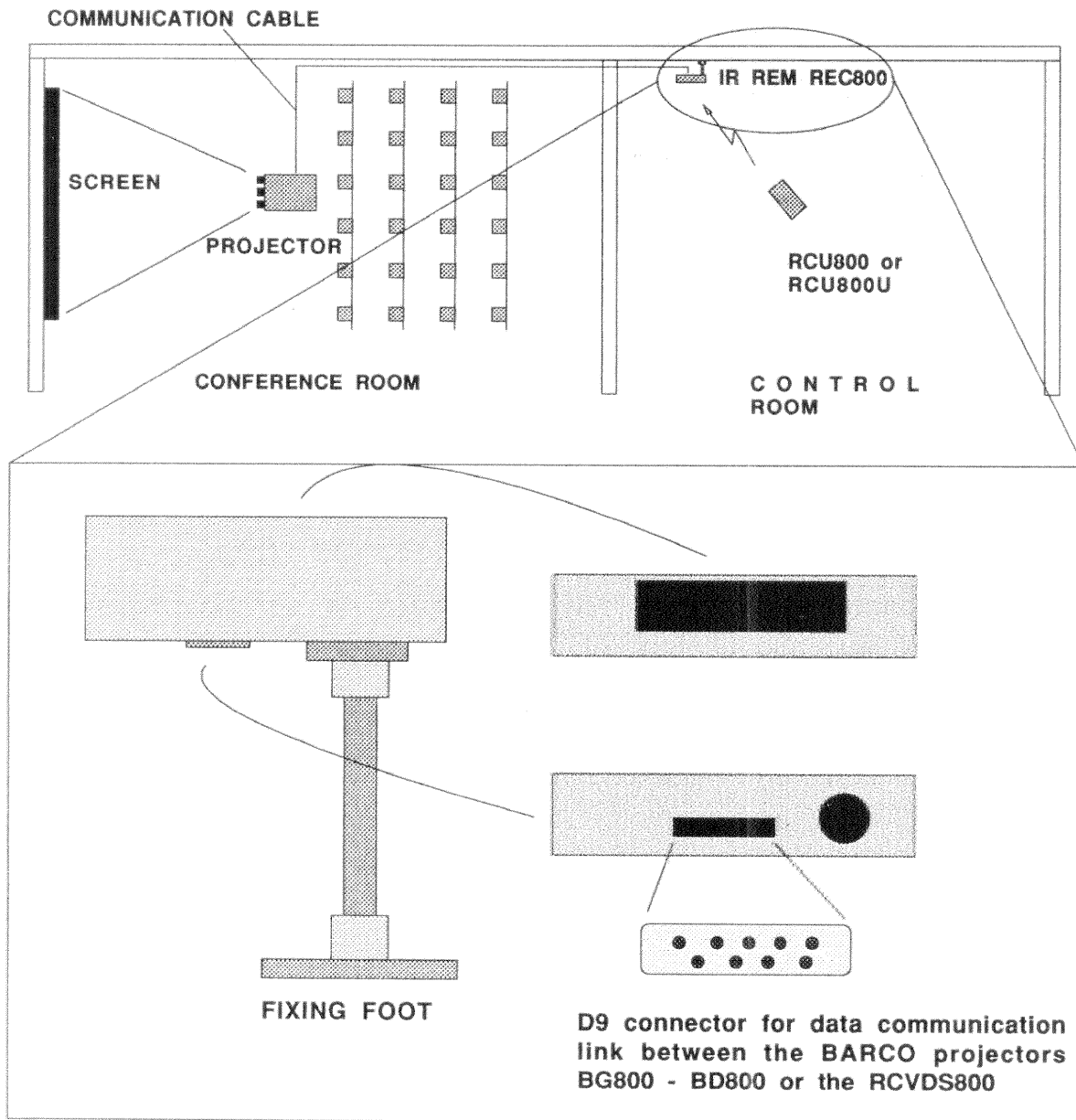
service sheet

MOUNTING INSTRUCTIONS for the INFRA RED REMOTE RECEIVER 800 (98 27510/98 27515)

98 27510 Power supply voltage +17V

98 27515 Power supply voltage +30V

This stand-alone IR Receiver connected to the BG 800 - BD800 projectors or the RCVDS800 with the available D9-D9 communication cable, refer to info sheet 59 75134, allows to transfer the IR signals from the RCU800 or RCU800U to the projector and displaying the selected input.

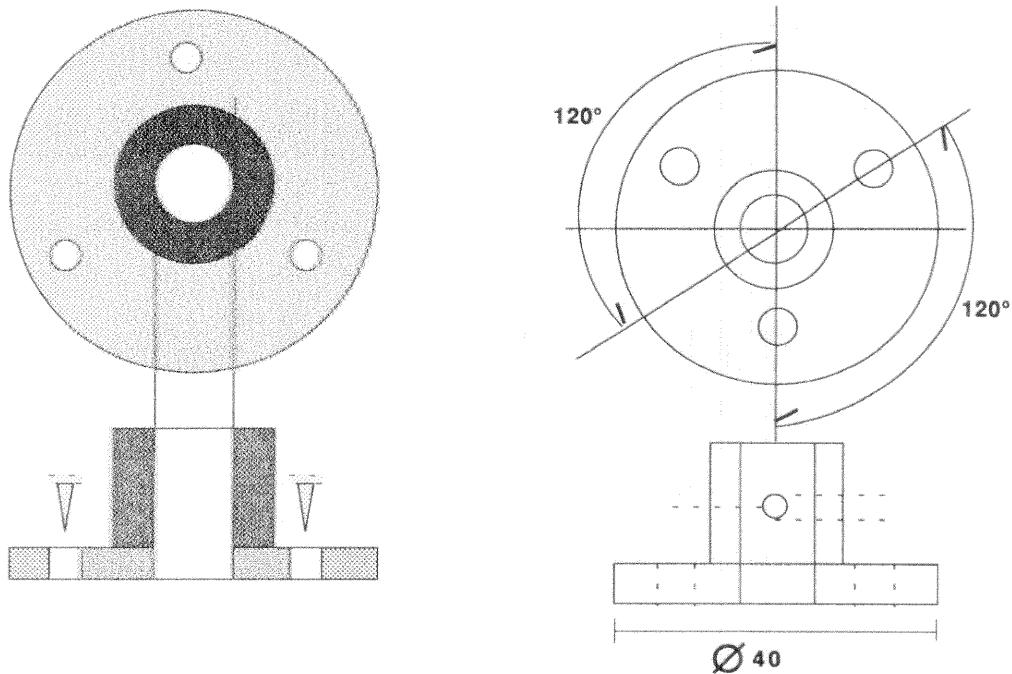


OPERATION

Point the IR transmitter RCU800 or RCU800U at the front side of the IR Remote Receiver 800 (face with window).

Refer to owner's manual of the respective projector or RCVDS800 for further instructions about the use of the IR remote control.

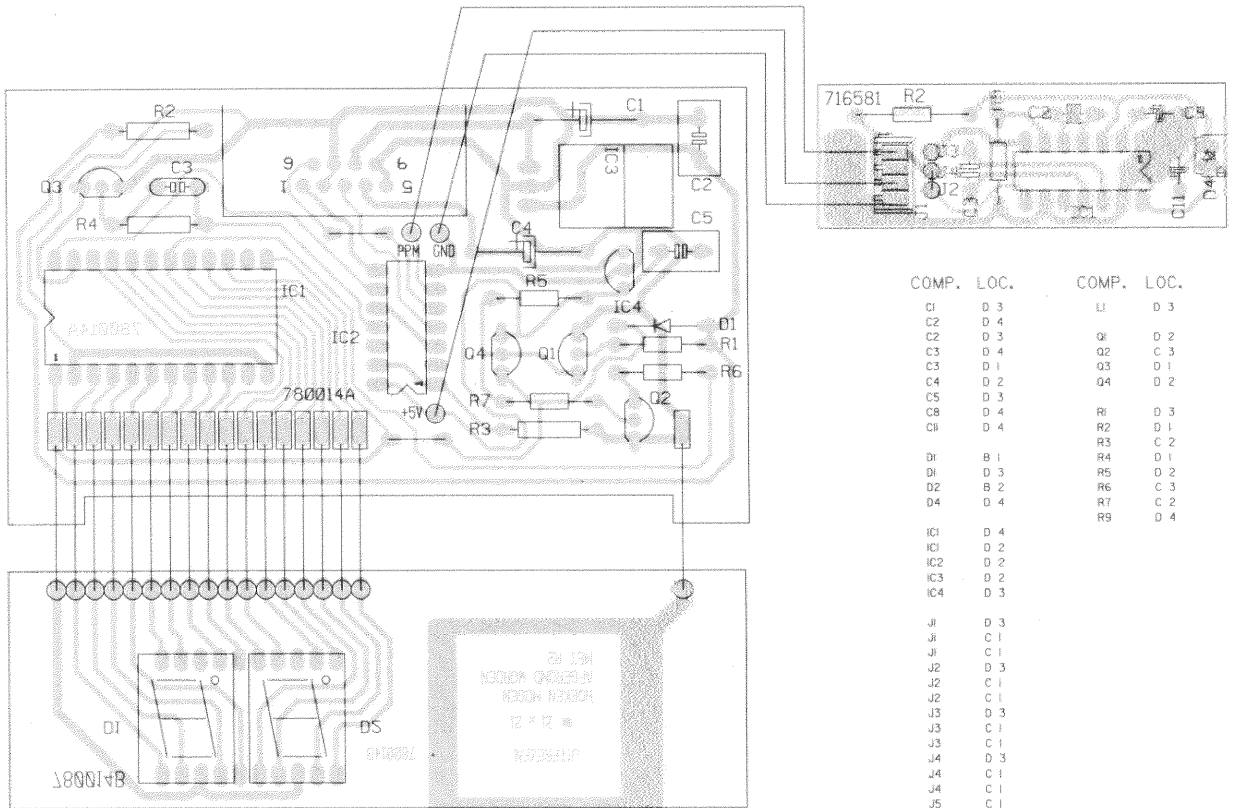
Mounting instructions:



Mount the fixing foot of the IR Remote Receiver on the wall by means of three screws.

Install the communication connection between IR REMOTE RECEIVER and the PROJECTOR 800 serie by means of the D9-D9 communication cable.

98 27510 (Power Supply +17V)



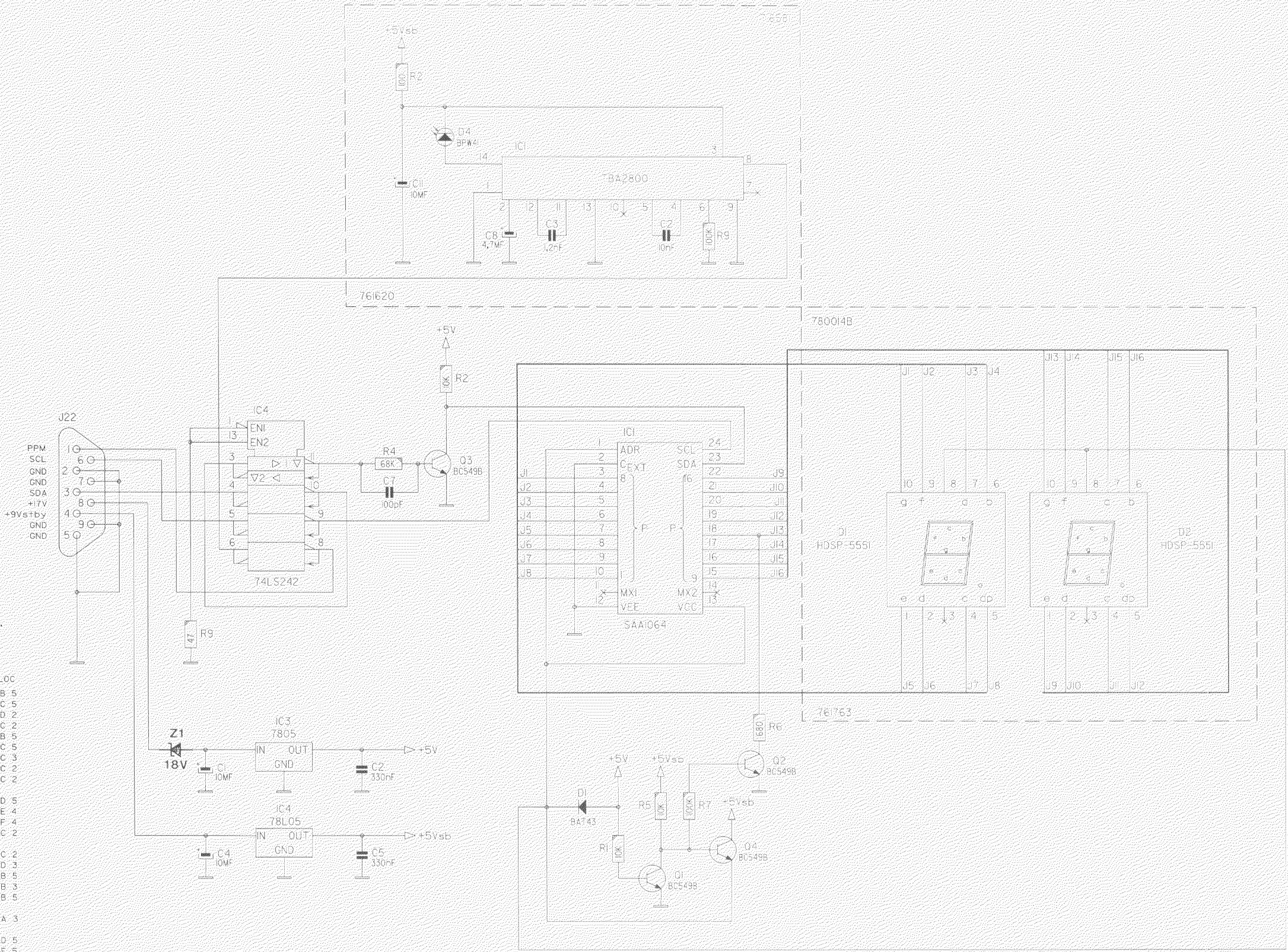
COMP.	LOC.	COMP.	LOC.
C1	D 3	E1	D 3
C2	D 4	Q1	D 2
C2	D 3	Q2	C 3
C3	D 4	Q3	D 1
C3	D 1	Q4	D 2
C4	D 2	R1	D 3
C5	D 3	R2	D 1
C8	D 4	R3	C 2
C11	D 4	R4	D 1
D1	B 1	R5	D 2
D1	D 3	R6	C 3
D2	B 2	R7	C 2
D4	D 4	R9	D 4
IC1	D 4		
IC1	D 2		
IC2	D 2		
IC3	D 2		
IC4	D 3		
J1	D 3		
J1	C 1		
J1	C 1		
J2	D 3		
J2	C 1		
J2	C 1		
J3	D 3		
J3	C 1		
J3	C 1		
J4	D 3		
J4	C 1		
J4	C 1		
J5	C 1		
J6	C 1		
J6	C 1		
J7	C 1		
J7	C 1		
J8	C 1		
J8	C 1		
J9	C 2		
J9	C 1		
J10	C 2		
J10	C 1		
J11	C 2		
J11	C 1		
J12	C 1		
J12	C 2		
J13	C 1		
J13	C 2		
J14	C 1		
J14	C 2		
J15	C 2		
J15	C 2		
J16	C 2		
J16	C 2		
J17	C 1		
J17	C 1		
J18	C 3		
J18	C 3		
J19	D 2		
J20	C 2		
J21	D 2		
J22	D 1		

Name IR remote receiver		Article nr. 761762	
Date 15/09/1990	Drawn PG	Checked GT	

BARCO PROJECTION SYSTEMS

Modifications reserved

1
2
3
4
5
6

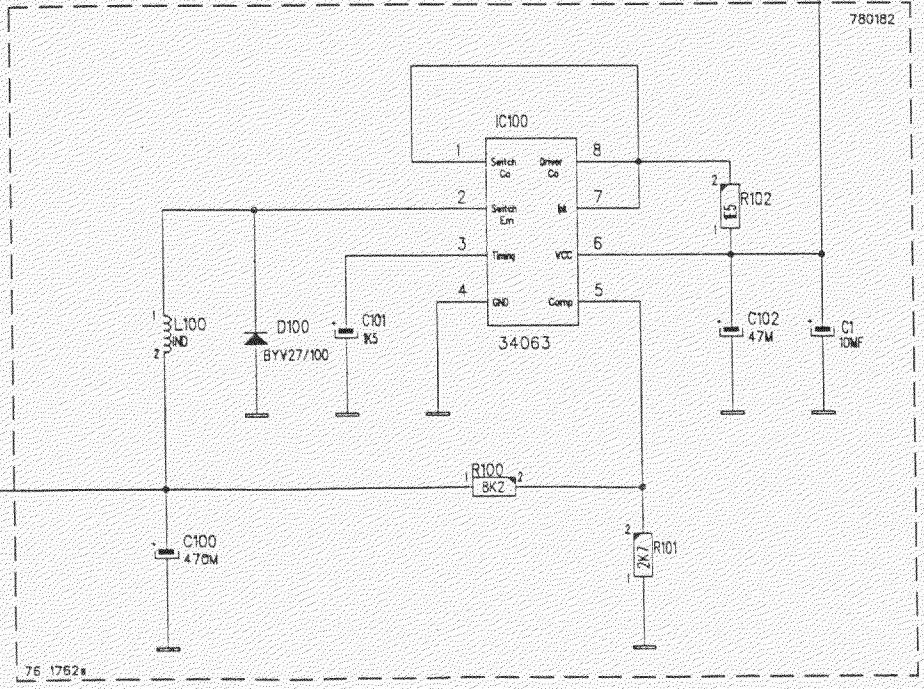
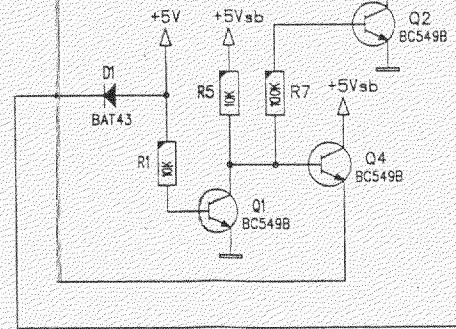
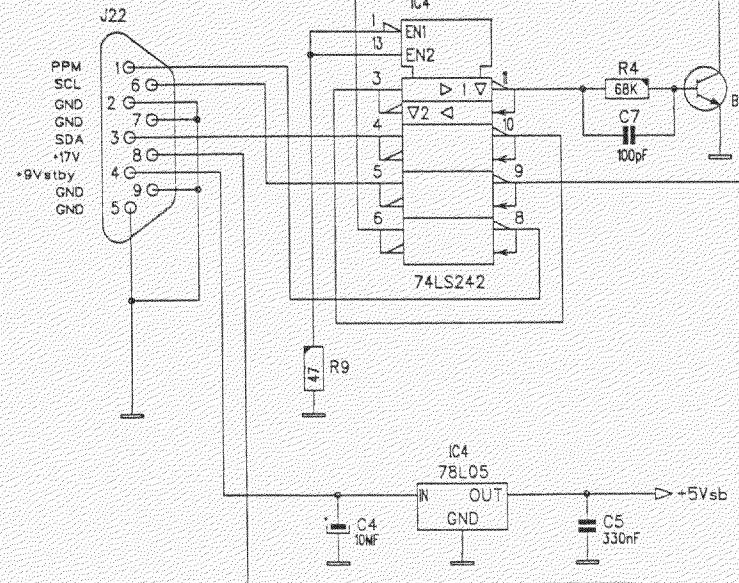
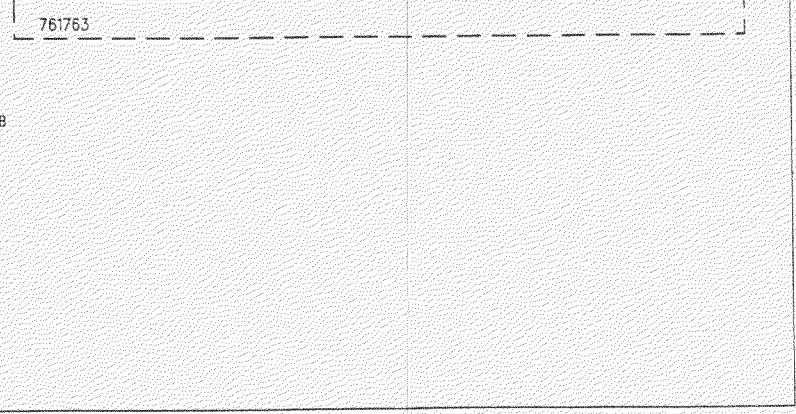
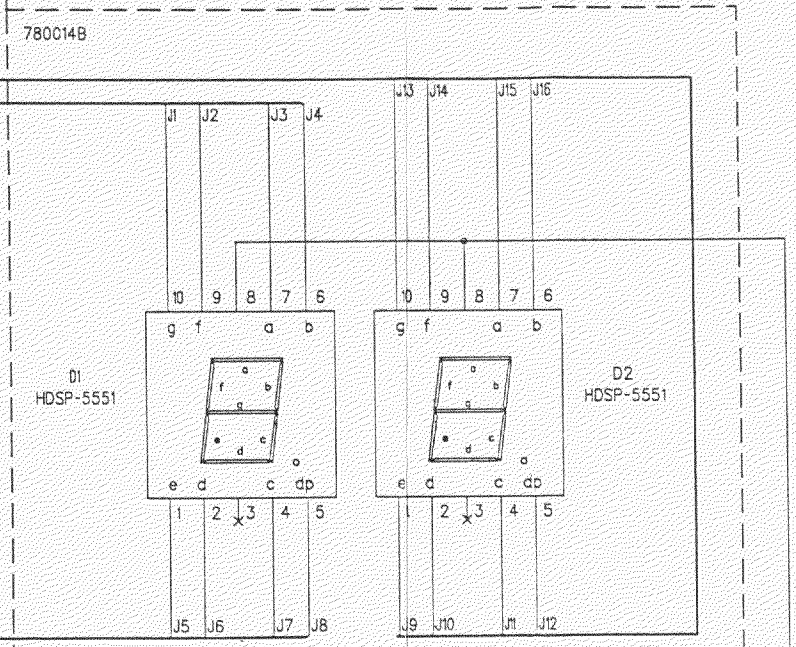
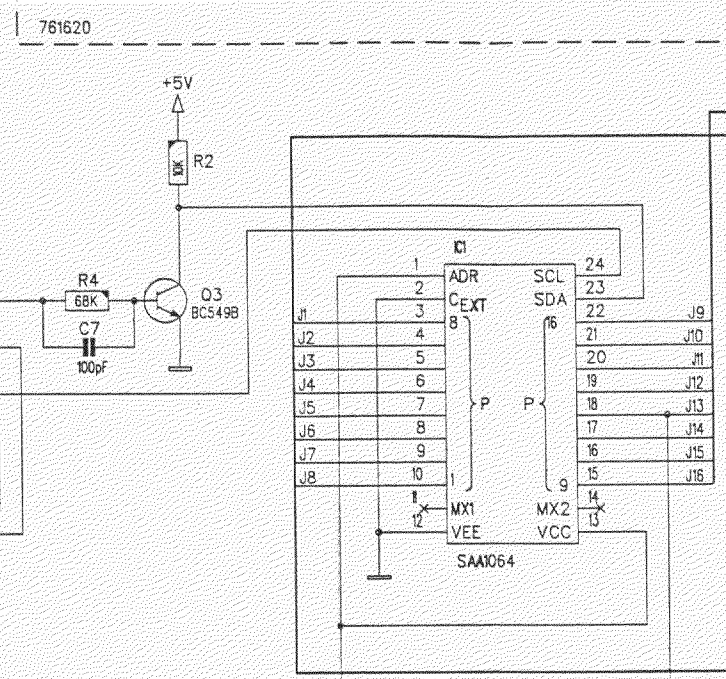
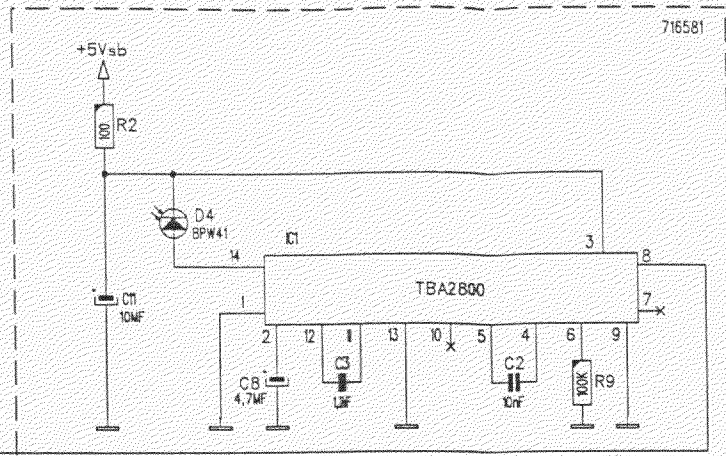


COMP	LOC
C1	B 5
C2	C 5
C3	D 2
C4	B 5
C5	C 5
C6	C 3
C7	C 2
C8	C 2
C9	C 2
D1	D 5
D2	F 4
D3	F 4
D4	C 2
IC1	C 2
IC2	D 3
IC3	B 5
IC4	B 3
IC5	B 5
J22	A 3
Q1	D 5
Q2	F 5
Q3	C 3
Q4	D 5
R1	D 5
R2	C 1
R3	C 3
R4	C 3
R5	D 5
R6	F 5
R7	D 5
R8	D 2
R9	B 4

Modifications reserved

Name	IR remote receiver 761762	
Date	15/09/1990	PG 01
Drawn	PG	GT
Checked	GT	
BARCO PROJECTION SYSTEMS		

COMP.	LOC.
C1	D 6
C2	A 6
C3	F 2
C4	D 2
C5	D 4
C7	D 4
C8	D 4
C10	D 4
C100	B 6
C101	B 5
C102	C 5
D1	F 4
D10	B 5
D100	B 5
IC1	F 3
IC10	D 1
IC4	C 3
IC4	C 4
IC100	C 5
J22	B 3
J49	D 5
J104	C 6
L100	B 5
Q1	F 5
Q2	F 4
Q3	D 3
Q4	F 5
R1	E 5
R2	D 2
R2	D 1
R4	D 3
R5	D 3
R6	F 5
R7	F 5
R9	F 4
R9	F 2
R100	C 6
R101	C 6
R102	C 5

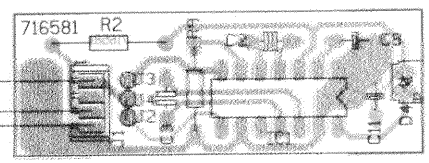
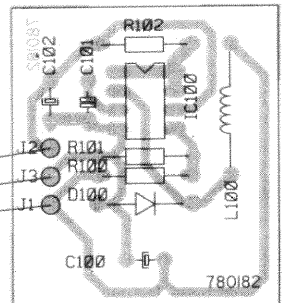
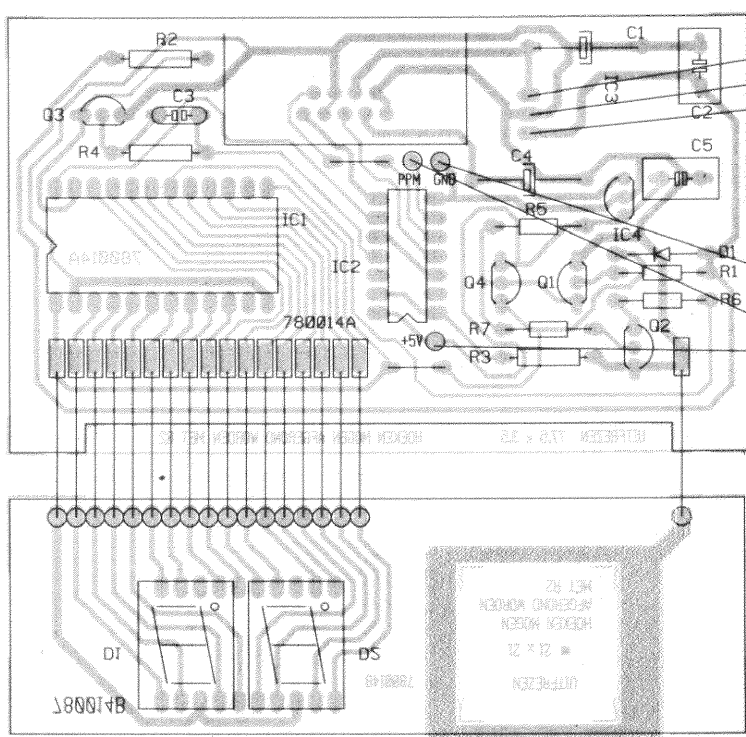


Name	IR remote receiver	Article no.	76 17625
Date	23-06-1992	Drawn	JVDY
		Checked	GT

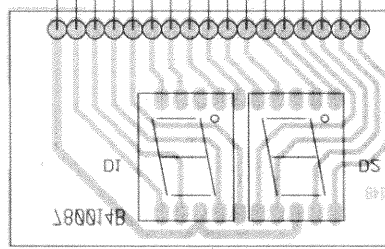
BARCO PROJECTION SYSTEMS

Modifications reserved

98 27515 (Power supply +30V)



COMP. LOC.		COMP. LOC.	
C1	C 2	J10	A 3
C2	D 3	J11	B 4
C2	C 3	J11	A 3
C3	D 3	J12	A 4
C3	A 2	J12	B 3
C4	B 3	J13	A 4
C5	C 3	J13	B 3
C8	D 3	J14	A 4
C8	D 3	J14	B 3
C100	C 3	J15	B 4
C101	C 2	J15	B 3
C102	C 2	J16	B 3
D1	A 4	J17	A 4
D1	C 3	J17	A 3
D2	B 4	J18	C 4
D4	D 3	J18	C 3
D100	C 2	J19	B 3
		J20	B 3
IC1	D 3	J21	B 3
IC1	B 3	J22	B 3
IC2	B 3		
IC3	C 2	L100	D 3
IC4	C 3		
IC100	D 2	Q1	B 3
		Q2	C 3
J1	C 2	Q3	A 3
J1	D 3	Q4	B 3
J1	A 4	R1	C 3
J2	C 2	R2	A 2
J2	D 3	R3	B 3
J2	A 4	R4	A 3
J2	A 3	R5	B 3
J3	C 2	R6	C 3
J3	D 3	R7	B 3
J3	A 4	R9	D 3
J3	A 3	R100	C 2
J4	D 3	R101	C 2
J4	A 4	R102	D 2
J4	A 3		
J5	A 4		
J5	A 3		
J6	A 4		
J6	A 3		
J7	A 4		
J7	A 3		
J8	A 4		
J8	A 3		
J9	B 4		
J9	A 3		
J10	B 4		



Name IR remote receiver		Article nr. 7617625	
Date 15/09/1990	Drawn PG	Checked GT	

BARCO PROJECTION SYSTEMS

Modifications reserved

PARTS LISTING 98 27510

ITEM NO.	SIT.	DESCRIPTION
59 3082		BOX0201 245X130X130COSOC
59 3229		LSFOAM 700X140X15
59 75174		MAN INST PJ 49 IR REC 9827510
76 1762		UN DISPLAY PJ 49 GR800 IR

PARTS LISTING 76 1763

ITEM NO.	SIT.	DESCRIPTION
76 1620		UN REC PJ EP IR RCVDS800
13 1685	D..1	DIODE HDSP5551 LED DIG 1 C ANO
13 1685	D..2	DIODE HDSP5551 LED DIG 1 C ANO
78 0014	PC..	PC PJ 49 DISPL IR1 *800 761763

PARTS LISTING 76 1762

ITEM NO.	SIT.	DESCRIPTION
76 1763		UN DISPLAY PJ 49 GR800 IR SUB
76 1620		UN REC PJ EP IR RCVDS800
11 11565	C..1	CAP ELAX 10M Z 25
11 3730	C..2	CAP POME 330K K5 63
11 2362	C..3	CAP N750MI 100P J5 63
11 11565	C..4	CAP ELAX 10M Z 25
11 3730	C..5	CAP POME 330K K5 63
13 1685	D..1	DIODE HDSP5551 LED DIG 1 C ANO
13 1636	D..1	DIODE BAT43,(85) SCHOTTKY
13 1685	D..2	DIODE HDSP5551 LED DIG 1 C ANO
13 2825	L..1	IC 1064 SAA 4D LED DRIV I2C
13 7516	L..2	IC 74LS242 QUAD BUS TRANC INV
13 4001	L..3	IC 7805 +05V/1A REGULATOR
13 4032	L..4	IC 78L05 +05V/0A1 REGULATOR

PARTS LISTING 76 1620

ITEM NO.	SIT.	DESCRIPTION
11 5940	C..2	CAP PP RA 10K J5 63
11 5940	C..2	CAP PP RA 10K J5 63
11 59181	C..3	CAP PP RA 1K2 J5 100
11 59181	C..3	CAP PP RA 1K2 J5 100
11 15915	C..8	CAP ELPRMI 4M7 M5 35
11 15915	C..8	CAP ELPRMI 4M7 M5 35
11 15935	C..11	CAP ELPRMI 10M M5 35
11 15935	C..11	CAP ELPRMI 10M M5 35
13 1681	D..4	DIODE BPW41 PHOTO
13 2824	L..1	IC 2800 TDA IR REC
71 6581	PC..	PC PJ EP RCVDS800 REC IR
10 1124	R..2	R CF 100E J 0W25
10 1160	R..9	R CF 100K J 0W25
10 1160	R..9	R CF 100K J 0W25
80 0505	001.	SCREEN PJ EP RCVDS2 REC

31 35011	J22.	CONN DE09 FBS P 9
78 0014	PC..	PC PJ 49 DISPL IR1 *800 761763
13 14071	Q..1	TSTR BC547B,BC237B N 45 / 0A1
13 14071	Q..2	TSTR BC547B,BC237B N 45 / 0A1
13 14295	Q..3	TSTR BC549B N 30 / 0A1
13 1411	Q..4	TSTR BC549C,BC239C N 30 / 0A1
10 1148	R..1	R CF 10K J 0W25
10 1148	R..2	R CF 10K J 0W25
10 1120	R..3	R CF 47E J 0W25
10 1158	R..4	R CF 68K J 0W25
10 1148	R..5	R CF 10K J 0W25
10 1134	R..6	R CF 680E J 0W25
10 1160	R..7	R CF 100K J 0W25
80 1908	0030	CONN D SCREWLOCK 4.40/M3
36 61026	0031	NUT DIN934 M 3 HEXAGON
36 7502	0032	WASHER DIN6798 A 3,2
80 2926	0100	CASE PJ 49 DISPLAY CASE CPL
72 1800	0110	WINDOW PJ EP IR REC+DISP RCVDS
80 0740	0120	CASE PJ EP RCVDS3 IR REC FLEX
80 0738	0130	CASE PJ EP RCVDS3 IR REC FIX
36 2188	0131	STUD DIN916 M 3 X 4 M H
80 0739	0140	CASE PJ EP RCVDS3 IR REC FIX
36 2188	0141	STUD DIN916 M 3 X 4 M H
59 3526	0150	BAG PE 160X 220

IR REMOTE RECEIVER 800

98 27510

98 27515

SPARE PARTS 98 27510

ART NO.	DESCRIPTION	QUANTITY
593082	BOX0201 245X130X130 COSOC	1
593229	LS FOAM 700X140X15	1
5975174	MAN INST PJ 49 IR REC 9827510	1

SPARE PARTS 76 1763

ART NO.	DESCRIPTION	QUANTITY
131685	DIODE HDSP5551 LED DIG 1 C ANO	2

SPARE PARTS 76 1762

ART NO.	DESCRIPTION	QUANTITY
1314071	TSTR BC547B,BC237B N 45 / 0A1	2
131411	TSTR BC549C,BC239C N 30 / 0A1	1
1314295	TSTR BC549B N 30 / 0A1	1
131636	DIODE BAT43,(85) SCHOTTKY	1
131685	DIODE HDSP5551 LED DIG 1 C ANO	2
132825	IC 1064 SAA 4D LED DRIV I2C	1
134001	IC 7805 +05V/1A REGULATOR	1
134032	IC 78L05 +05V/0A1 REGULATOR	1
137516	IC 74LS242 QUAD BUS TRANC INV	1

SPARE PARTS 76 1620

ART NO.	DESCRIPTION	QUANTITY
131681	DIODE BPW41 PHOTO	1
132824	IC 2800 TDA IR REC	1
800505	SCREEN PJ EP RCVDS2 REC	1

313284	CONN CIS MBS P 1 REEL 6,2	18
3135011	CONN DE09 FBS P 9	1

3620216	SCREW DIN84 M3 X 6 MP-	1
3620226	SCREW DIN84 M3 X 8 MP-	2
3621195	SCREW DIN7985 M2,5X10 MP+	3
362188	STUD DIN916 M3 X 4 MH	6
3661026	NUT DIN934 M3 HEXAGON	5
366110	NUT DIN934 M2,5 HEXAGON	3
367435	RIVET P AL AL AD34ABS D2,4	2
367502	WASHER DIN6798 A 3,2	5

593526	BAG PE 160X 220	1
--------	-----------------	---

721800	WINDOW PJ EP IR REC+DISP RCVDS	1
--------	--------------------------------	---

800738	CASE PJ EP RCVDS3 IR REC FIX	1
800739	CASE PJ EP RCVDS3 IR REC FIX	1
800740	CASE PJ EP RCVDS3 IR REC FLEX	1
801908	CONN D SCREWLOCK 4.40/M3	2
802926	CASE PJ 49 DISPLAY CASE CPL	1

PARTS LISTING 98 27515

ITEM NO.	SIT.	DESCRIPTION
593082		BOX0201 245X130X130 COSOC
593229		LS FOAM 700X140X15
5975174		MAN INST PJ 49 IR REC 9827510
7617625		UN DISPLAY PJ 49 GR800 IR UNIV

PARTS LISTING 76 1763

ITEM NO.	SIT.	DESCRIPTION
761620		UN REC PJ EP IR RCVDS800
131685	D..1	LED 1DIG C.A RED HDSP5551
131685	D..2	LED 1DIG C.A RED HDSP5551
780014	PC..	PCB PJ 49 DISPL IR1*800 761763

PARTS LISTING 76 17625

ITEM NO.	SIT.	DESCRIPTION
761762S		UN DSPL PJ 49 G800 IR SMP
761763		UN DSPL PJ 49 G800 IR SUB
1111565	C..1	C EL AX 10M Z 25E7 85
1113730	C..2	C POMERA 330N K 63E2
112362	C..3	C N750MI 100P J 63E2
1111565	C..4	C EL AX 10M Z 25E7 85
1113730	C..5	C POMERA 330N K 63E2
1316361	D..1	D BAT85 SCH DO35
132825	L..1	U 1064 SAA DIP24 PLED_D
137516	L..2	U 74LS242 DIP14 PTRANC
134032	L..4	U 78L05 TO92 PSTAB

PARTS LISTING 76 1620

ITEM NO.	SIT.	DESCRIPTION
115940	C..2	C PP RA 10N J 63E2
1159181	C..3	C PP RA 1N2J 100E2
1115915	C..8	C EL5 RAMI 4M7M 35E2 85
111476	C..11	C EL RA 47M Z 25E2 85
131681	D..4	D BPW41 PHO
132824	L..1	U 2800 TBA DIP14 PIRREC
3061582	L..1	CH AX NS 1,5 MH
716581	PC..	PCS EP 49 RCVDS800 RX IR

313284	J..1	J CIS MBS P 1 L6,2 RL
313284	J..2	J CIS MBS P 1 L6,2 RL
313284	J..3	J CIS MBS P 1 L6,2 RL
313284	J..4	J CIS MBS P 1 L6,2 RL
313284	J..5	J CIS MBS P 1 L6,2 RL
313284	J..6	J CIS MBS P 1 L6,2 RL
313284	J..7	J CIS MBS P 1 L6,2 RL
313284	J..8	J CIS MBS P 1 L6,2 RL
313284	J..9	J CIS MBS P 1 L6,2 RL
313284	J..10	J CIS MBS P 1 L6,2 RL
313284	J..11	J CIS MBS P 1 L6,2 RL
313284	J..12	J CIS MBS P 1 L6,2 RL
313284	J..13	J CIS MBS P 1 L6,2 RL
313284	J..14	J CIS MBS P 1 L6,2 RL
313284	J..15	J CIS MBS P 1 L6,2 RL
313284	J..16	J CIS MBS P 1 L6,2 RL
313284	J..17	J CIS MBS P 1 L6,2 RL
313284	J..18	J CIS MBS P 1 L6,2 RL
3135011	J22.	J DE09 FBS P 9

PARTS LISTING 76 1762S

ITEM NO.	SIT.	DESCRIPTION
111468	C100	C EL RA 470M Z 16E2 85
112741	C101	C CE MI 1N5K 63E2
111476	C102	C EL RA 47M Z 25E2 85
131950	D100	D BYV27/150 R SOD57
137625	I100	U 34063 DIP8 PDC_DC
3061341	L100	CH RANS 100 UH
780182	PC..	PCS PJ 49 800 DSPL IR SMP
1011474	R100	R MF H 8K2 F 0W25
1011414	R101	R MF H 2K7 J 0W25
101102	R102	R CF H 1E5 J 0W25 181

780014	PC..	PCB PJ 49 DSPL IR1*800 761763
1314071	Q..1	Q BC547B NSS TO92 045A1
1314071	Q..2	Q BC547B NSS TO92 045A1
1314295	Q..3	Q BC549B NSS TO92 030A1
131411	Q..4	Q BC549C NSS TO92 030A1
101148	R..1	R CF H 10K J 0W25
101148	R..2	R CF H 10K J 0W25
101120	R..3	R CF H 47E J 0W25
101158	R..4	R CF H 68K J 0W25
101148	R..5	R CF H 10K J 0W25
101134	R..6	R CF H 680E J 0W25
101160	R..7	R CF H 100K J 0W25

SPARE PARTS 98 27515

ART NO.	DESCRIPTION	QUANTITY
593082	BOX0201 245X130X130 COSOC	1
593229	LS FOAM 700X140X15	1
5975174	MAN INST PJ 49 IR REC 982751	1
7617625	UN DISPLAY PJ 49 GR800 IR UNI	1

SPARE PARTS 76 1763

ART NO.	DESCRIPTION	QUANTITY
131685	LED 1DIG.C.A RED HDSP5551	2
761620	UN REC PJ EP IR RCVDS800	1

SPARE PARTS 76 17625

ART NO.	DESCRIPTION	QUANTITY
1314071	QBC547B N SS TO92 045A1	2
131411	QBC549C N SS TO92 030A1	1
1314295	QBC549B N SS TO92 030A1	1
1316361	DBAT85 SCH DO35	1
132825	U1064 SAA DIP24 PLED_D	1
134032	U78L05 TO92 PSTAB	1
137516	U74LS242 DIP14 PTRANC	1

SPARE PARTS 76 1620

ART NO.	DESCRIPTION	QUANTITY
131681	DBPW41 PHO	1
132824	U2800 TBA DIP14 PIRREC	1
3061582	CH AX NS 1,5 MH	1
761620D	UN RX EP49 IR RCVDS800	1
761781A	UN RX PJ49 G800 RR	1
802880	FRM PJ49 G800 RX IR SCR N	1

313284	J C IS MBS P 1 L6,2 RL	18
3135011	J DE09 FBS P 9	1

3621195	SCR DIN7985 M 2,5X 10 FB	3
362188	SCR DIN916 M 3 X 4 F	6
366110	NUT DIN934 M 2,5 FZ	3
367435	RVT POPS AD34ABS D2,4 AL2	
367502	WSHR DIN6798 A 3,2 FZ	2

593526	BAG PE 160X220	1
--------	----------------	---

721800	WDW EP IR REC+DISP RCVDS1	
--------	---------------------------	--

761321D	UN RX EP IR RCVDS3	1
761762A	UN DSPL PJ49 G800 IR	1
761762S	UN DSPL PJ49 G800 IR SMP	1
761763	UN DSPL PJ49 G800 IR SUB	1

800738	HSG EP RCVDS3 IR RX FIX	1
800739	HSG EP RCVDS3 IR RX FIX	1
800740	HSG EP RCVDS3 IR RX FLX	1
801908	J D ACC LOCK SCR 4/M3	2
802926	HSG PJ49 DSPL HSG CPL	1

SPARE PARTS 76 1762S

ART NO.	DESCRIPTION	QUANTITY
131950	D BYV27/150 R SOD57	1
137625	U34063 DIP8 PDC_DC	1
3061341	CH RA NS 100 UH	1
761762SD	UN DSPL PJ49 G800 IR SMP	1
802347	SPR RVT L13 D 5 M3 M	2